

FEATURES

- ◇ Single fiber bi-directional data links TX 9.953Gbps, Burst Mode RX 9.953G/2.488Gbps application
- ◇ Single fiber bi-directional data links TX 2.488Gbps, Burst Mode RX1.244Gbps application
- ◇ 0 to 70°C operating case temperature
- ◇ 3.3V power supply
- ◇ SFP+ package with SC Receptacle connector
- ◇ Hot-pluggable capability
- ◇ High power 1577nm EML LD and High power 1490nm DFB LD
- ◇ High sensitivity 1270nm/1310nm APD
- ◇ Support 20km transmission distance with SMF
- ◇ SD indication
- ◇ Low EMI and excellent ESD protection
- ◇ Digital diagnostic monitor interface
- ◇ RoHS compliance

APPLICATIONS

- ◇ XGS-PON N1 OLT
- ◇ GPON OLT B+ OLT

STANDARDS

- ◇ Complies with SFF-8472
- ◇ Complies with ITU-T G.9807.1 and ITU-T G.987.2
- ◇ Complies with FCC 47 CFR Part 15, Class B
- ◇ Complies with FDA 21 CFR 1040.10 and 1040.11
- ◇ Complies with EN55032 and EN55035
- ◇ Complies with UL60950-1 and CAN/CSA-22.2 No.60950-1
- ◇ Complies with EN 60825-1 and IEC 60950-1

ABSOLUTE MAXIMUM RATING					
Parameter	Symbol	Min.	Max.	Unit	Notes
Storage Ambient Temperature	T _{STG}	-40	85	°C	
Operating Case Temperature	T _C	0	70	°C	
Operating Humidity	RoHS	5	85	%	
VCC3 Power Supply Voltage	VCC3	3.13	3.47	V	
Total Power			3.3	W	

RECOMMENDED OPERATING CONDITION						
Parameter	Symbol	Min.	Typ.	Max.	Unit	Notes
Operating Case Temperature	Tc	0		70	°C	
Power Supply Voltage	Vcc	3.13	3.3	3.47	V	
RX Data Rate			9.953		Gbps	
			2.488		Gbps	
			1.244		Gbps	
TX Data Rate			9.953		Gbps	
			2.488		Gbps	

XGS PON TRANSMITTER OPTICAL CHARACTERISTICS						
Parameter	Symbol	Min.	Typ.	Max.	Unit	Notes
Optical Center Wavelength	λ_c	1575		1580	nm	
Optical Spectrum Width (-20dB)	$\Delta\lambda$	-	-	1	nm	
Side Mode Suppression Ratio	SMSR	30			dB	
Average Launch Optical Power	AOP	+2		+5	dBm	Launched into SMF
Power-OFF Transmitter Optical Power				-39	dBm	Launched into SMF
Extinction Ratio	ER	8.2			dB	PRBS2 ³¹ -1 @9.953Gbps
Optical Waveform Diagram	Compliant with ITU-T G.9807.1					Figure 1, Mask Margin>5%
Tolerance to Transmitter Incident		-15			dB	
Transmitter and Dispersion Penalty	TDP			1	dB	Transmit on 20km SMF

XGS PON TRANSMITTER ELECTRICAL CHARACTERISTICS						
Parameter	Symbol	Min.	Typ.	Max.	Unit	Notes
Data Input Differential Swing		100		850	mV	CML input, AC coupled
Input Differential Impedance	Zin	90	100	110	Ω	
TX Disable	Disable		2	VCC+0.3	V	
	Enable		-0.3	0.8	V	
TX Fault	Fault		2.4	VCC+0.3	V	
	Normal		-0.3	0.4	V	

XGS PON TRANSMITTER EYE MASK DEFINITIONS AND TEST PROCEDURE

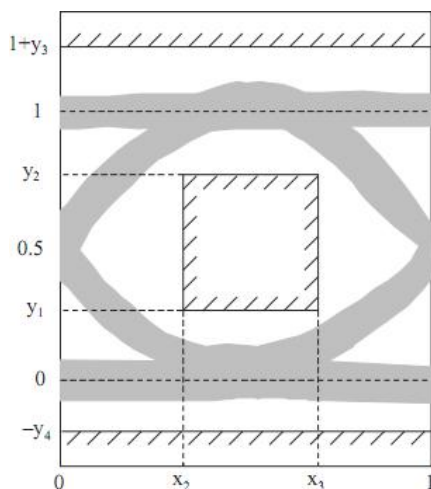


Figure 1 XGPON Transmitter Eye Mask Definitions

X3-X2	Y1	Y2	Y3	Y4	Unit
0.2	0.25	0.75	0.25	0.25	UI

GPON TRANSMITTER OPTICAL CHARACTERISTICS

Parameter	Symbol	Min.	Typ.	Max.	Unit	Notes
Optical Center Wavelength	λ_c	1480		1500	nm	
Optical Spectrum Width (-20dB)	$\Delta\lambda$			1	nm	
Side Mode Suppression Ratio	SMSR	30			dB	
Average Launch Optical Power	AOP	+1.5		+5	dBm	Launched into SMF
Power-OFF Transmitter Optical				-39	dBm	Launched into SMF
Extinction Ratio	ER	8.2			dB	PRBS 2 ²³ -1+72CID@2.488G
Optical Waveform Diagram	Compliant with ITU-T G.984.2					Figure 2, Mask Margin>5%
Tolerance to Transmitter Incident		-15			dB	

GPON TRANSMITTER ELECTRICAL CHARACTERISTICS

Parameter	Symbol	Min.	Typ.	Max.	Unit	Notes
Data Input Differential Swing		100		850	mV	CML input, AC coupled
Input Differential Impedance	Zin	90	100	110	Ω	
TX Disable	Disable	2		VCC+0.3	V	
	Enable	-0.3		0.8	V	
TX Fault	Fault	2.4		VCC+0.3	V	
	Normal	-0.3		0.4	V	

GPON TRANSMITTER EYE MASK DEFINITIONS AND TEST PROCEDURE

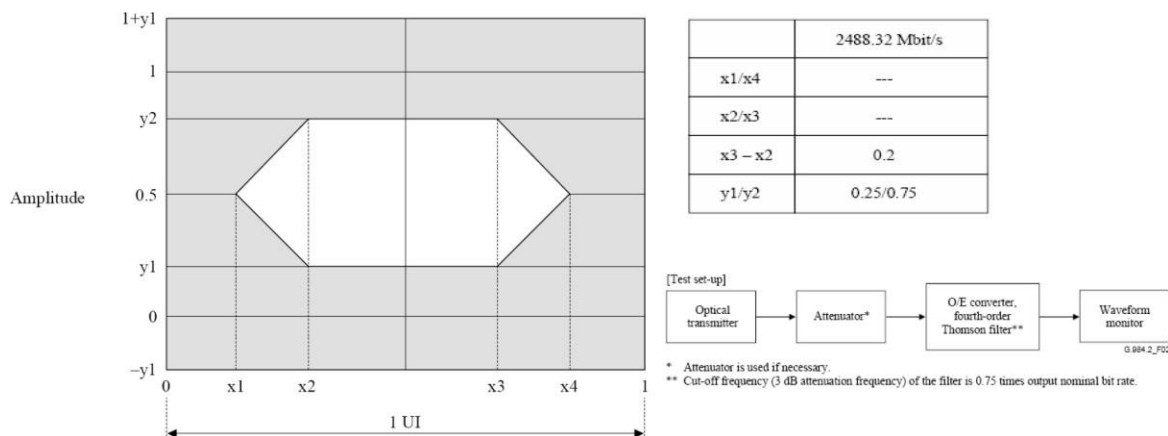


Figure 2 GPON Transmitter Eye Mask Definitions

XGS PON RECEIVER OPTICAL CHARACTERISTICS

Parameter	Symbol	Min.	Typ.	Max.	Unit	Notes
Operating Wavelength		1260		1280	nm	
Sensitivity	SEN			-26	dBm	ER ≥ 6dB
Saturation Optical Power	SAT	-8			dBm	PRBS2 ³¹ -1@9.953Gbps BER ≤ 1×10 ⁻³
SD Assert Level				-27	dBm	
SD De-Assert Level		-45			dBm	
Hysteresis		0.5		6	dB	
Receiver Reflectance				-12	dB	

XGPON RECEIVER OPTICAL CHARACTERISTICS

Parameter	Symbol	Min.	Typ.	Max.	Unit	Notes
Operating Wavelength		1260		1280	nm	
Sensitivity	SEN			-27.5	dBm	ER ≥ 8.2dB
Saturation Optical Power	SAT	-10			dBm	PRBS2 ²³ -1@2.488Gbps BER ≤ 1×10 ⁻⁴
SD Assert Level				-28.5	dBm	
SD De-Assert Level		-45			dBm	
Hysteresis		0.5		6	dB	
Receiver Reflectance				-10	dB	

XGS/XGSPON RECEIVER ELECTRICAL CHARACTERISTICS						
Parameter	Symbol	Min.	Typ.	Max.	Unit	Notes
Guard time	Tg	-	50	-	ns	
Reset Pulse Width	Tr	25.6	-	-	ns	
Receiver Threshold Settling Time	T _{SETTLIN_G}			100	ns	Figure 3
Data Output Differential Swing		400		800	mV	DC Coupled, CML output
Output Differential Impedance	Zout	90	100	110	Ω	
SD Assert Level Time				100	ns	
SD De-Assert Level Time				100	ns	
SD Voltage - Low		-0.3		0.4	V	
SD Voltage - High		2.4		VCC+0.3	V	

GPON RECEIVER OPTICAL CHARACTERISTICS						
Parameter	Symbol	Min.	Typ.	Max.	Unit	Notes
Operating Wavelength		1290	1310	1330	nm	
Sensitivity (BOL)	SEN			-28	dBm	ER≥10dB
Saturation Optical Power	SAT	-12			dBm	PRBS 2 ²³ -1@1.244Gbps BER ≤1×10 ⁻⁴
SD Assert Level				-29	dBm	
SD De-Assert Level		-45			dBm	
Hysteresis		0.5		6	dB	
CID		72			Bit	

GPON RECEIVER ELECTRICAL CHARACTERISTICS						
Parameter	Symbol	Min.	Typ.	Max.	Unit	Notes
Guard time	Tg	-	50	-	ns	
Reset Pulse Width	Tr	25.6	-	-	ns	
Receiver Threshold Settling Time	T _{SETTLE}		25.6		ns	Figure 5
Data Output Differential Swing		600		1600	mV	LVPECL output, DC coupled
Output Differential Impedance	Zout	90	100	110	Ω	
SD Assert Level Time	Ta			24	ns	Figure 5
SD De-Assert Level Time				25.6	ns	
SD Voltage - Low		-0.3		0.4	V	
SD Voltage - High		2.4		VCC+0.3	V	

TIMING PARAMETER DEFINITIONS IN BURST MODE SEQUENCE

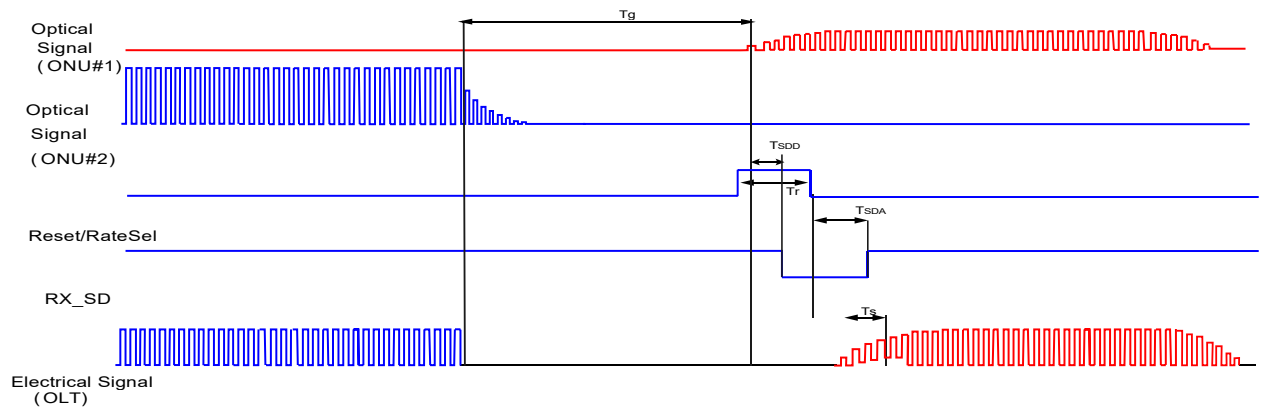


Figure 3 Timing Parameter Definitions in XGS PON Burst Mode Sequence

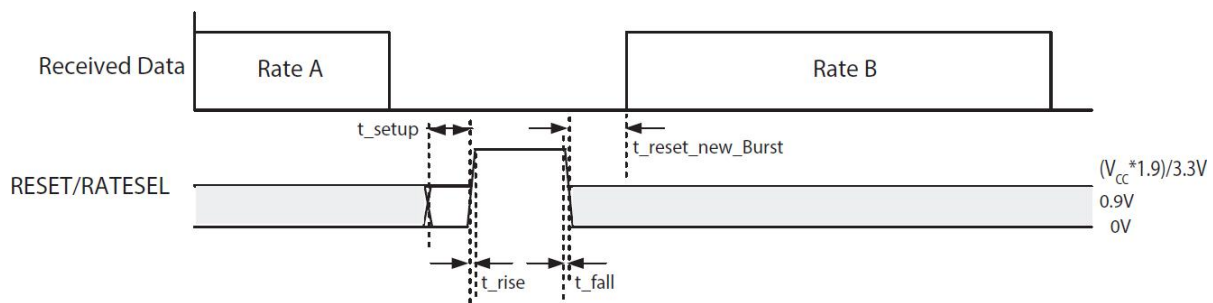


Figure 4 Reset/RateSel Timing Diagram

Reset/RateSel Function		
Reset/Ratesel	Voltage V	Function
High	1.9~3.3V	Reset
Middle	1.2~1.6V	Rate=2.488G
Low	0~0.9V	Rate=9.953G

Reset/RateSel Timing Diagram						
Parameter	Symbol	Min.	Typ.	Max.	Unit.	Notes
Setup Time	T_{Setup}	5			ns	
Reset Rise Time	T_{Rise}			3	ns	
Reset Fall Time	T_{fall}			3	ns	
Reset New Burst Time	$T_{Reset\ new\ burst}$			0	ns	

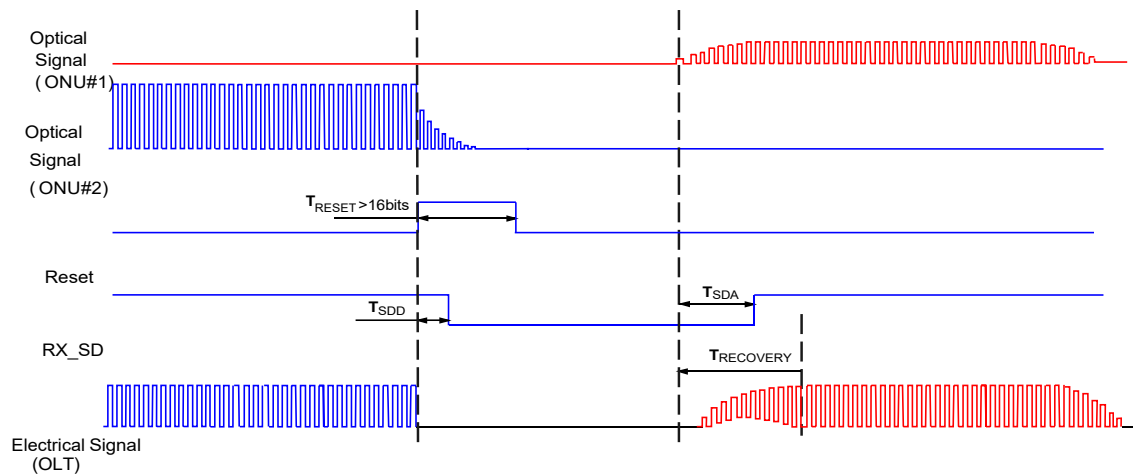


Figure 5 Timing Parameter Definitions in GPON Burst Mode Sequence

RSSI TIMING SEQUENCE						
Parameter	Symbol	Min.	Typ.	Max.	Unit.	Notes
Optical Signal Duration	T_{opt}	1200			ns	
RSSI Trigger width	T_w	500			ns	
RSSI Trigger Delay	T_D	150			ns	
I ² C Access Prohibited Time	T_s			500	μs	
I ² C Bus Frequency		0	100	200	KHz	
I ² C - High		2.4		3.6	V	
I ² C - Low		-0.3		1	V	

Digital RSSI Sample/Hold Timing Specification

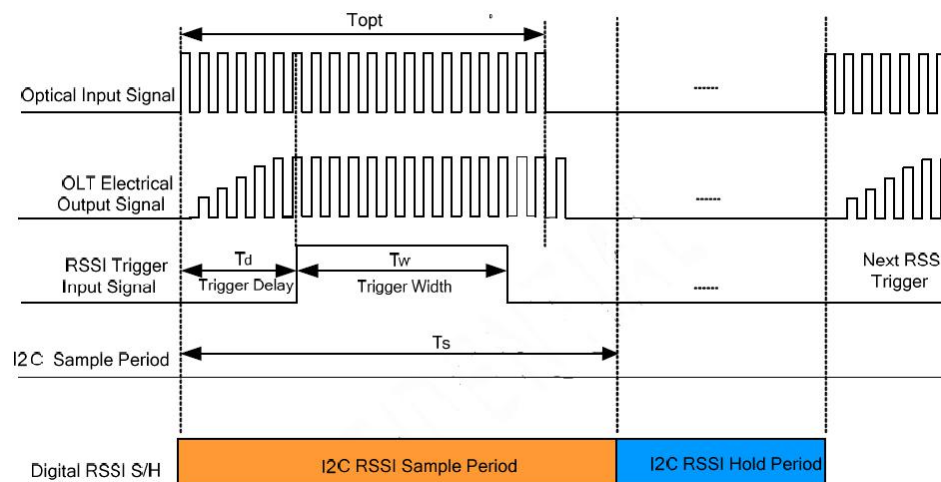


Figure 6 Timing Parameter Definitions in RSSI Trigger

PIN OUT DRAWING

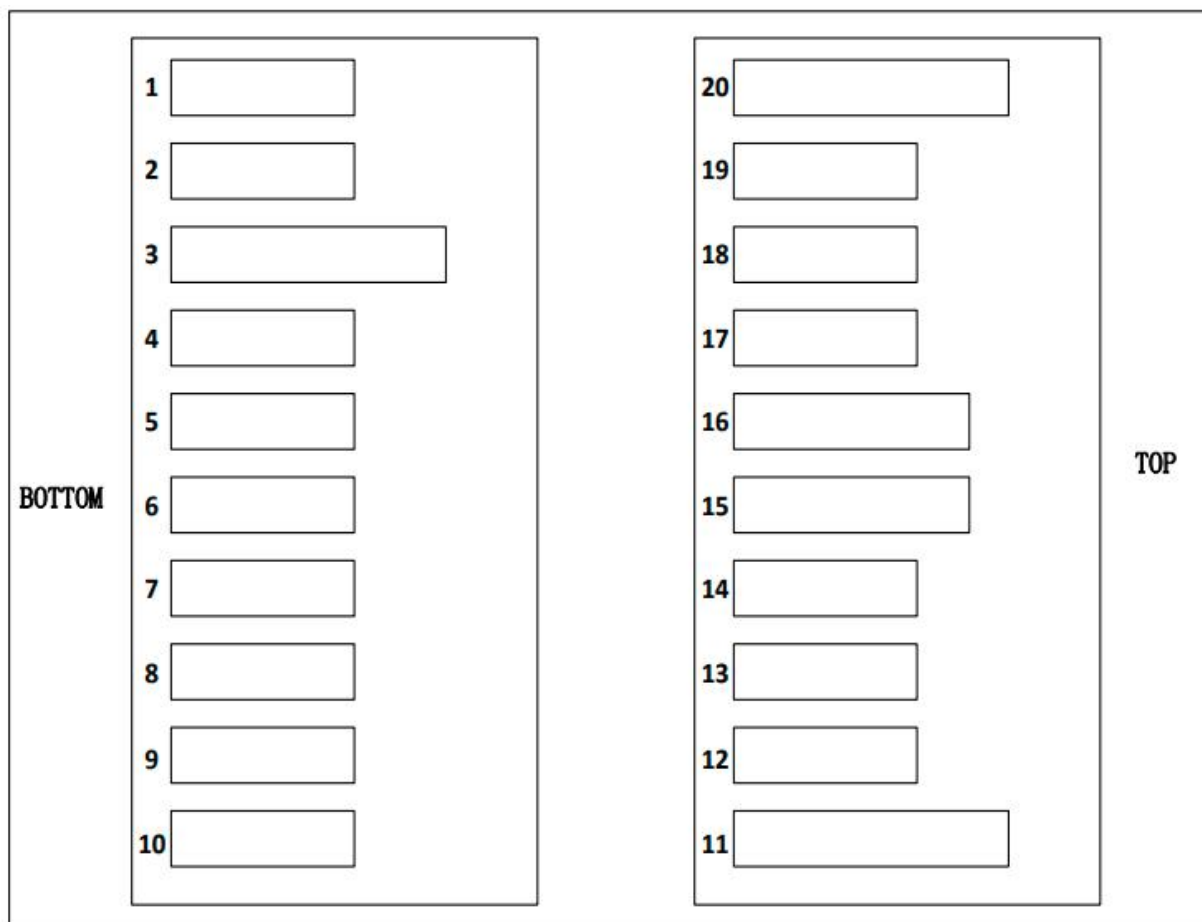


Figure 7 Pin Out Drawing

PIN DESCRIPTION			
PIN	Name	Description	Notes
1	GPON_TD+	2.5G Transmit Data In	AC coupled, CML input
2	GPON_TD-	Inv. 2.5G Transmit Data In	AC coupled, CML input
3	GND	Module Ground	
4	SDA	2-Wire Serial Interface Data	The data line of two wire serial interface ^[5]
5	SCL	2-Wire Serial Interface Clock	The clock line of two wire serial interface
6	GPON_RD-	Inv. Received 1G Data Out	DC coupled, LVPECL output ^[1]
7	Reset& Rate Select	XGSPON Reset& Rate Select	High: Reset, Middle:2.5G, Low:10G ^[2]
8	XGSPON SD	XGSPON SD Indicator	LOW: lost signal
9	Trig/Tx_Dis	Receiver RSSI trigger input /Transmitter	The Mode can be switched ^[3]
10	GPON_RD+	Received 1G Data Out	DC coupled, LVPECL output ^[1]
11	GND	Module Ground	
12	XGSPON_RD-	Inv. Received 10G Data Out	DC coupled, CML output
13	XGSPON_RD+	Received 10G Data Out	DC coupled, CML output

Shenzhen Opway Communication Co., Ltd.

3F, Building 5, Section 2, Baiwangxin High-tech Industrial Park, 1002 Songbai Rd.,
Nanshan, Shenzhen, Guangdong, China 518000

Tel: +86-755-86000306 Fax: +86-755-86000825
E-mail: info@opwaytech.com http://www.opwaytech.com

Rev: 1.0

Page 8 of 11

14	GPON SD	GPON SD Indicator	
15	VCCR	3.3V DC Power Input	
16	VCCT	3.3V DC Power Input	
17	GPON RESET	GPON RESET	
18	XGSPON_TD+	differential 10G Transmit Data In	AC coupled, CML input
19	XGSPON_TD-	Inv. differential 10G Transmit Data In	AC coupled, CML input
20	GND	Module Ground	

Note 1: This contact shall be pulled down with LVPECL output in the host;

Note 2: High voltage is greater than 1.9V, intermediate voltage is 1.2V ~ 1.6V, low voltage is lower than 0.9V;

Note 3: A2 RSSI/TXDIS SELECTION

Address	Bit	Name	Description
A2 BYTE118	7	RSSI Select	Writing "0" for XGS-PON RSSI Monitor; Writing "1" for GPON RSSI Monitor. Default power up value is "0".
	6	RSSI/ TXDIS Select	When set "0", PIN9 input as TXDIS input; When set "1", PIN9 as RSSI input. Default power up value is "0".
	5	XGSPON TXDIS Selection	When set "0", PIN9 as the XGS-PON TXDIS input. Default power-up value: "0". [4].
	4	GPON TXDIS Selection	When set "0", PIN9 as the GPON TXDIS input. Default power-up value: "0". [4].

Note 4: The value is not "0", which represents keep the previous status.

Note 5: This contact shall be pulled up with 4.7~10k in the host;

CONNECTOR CONNECTION DIAGRAM

Module

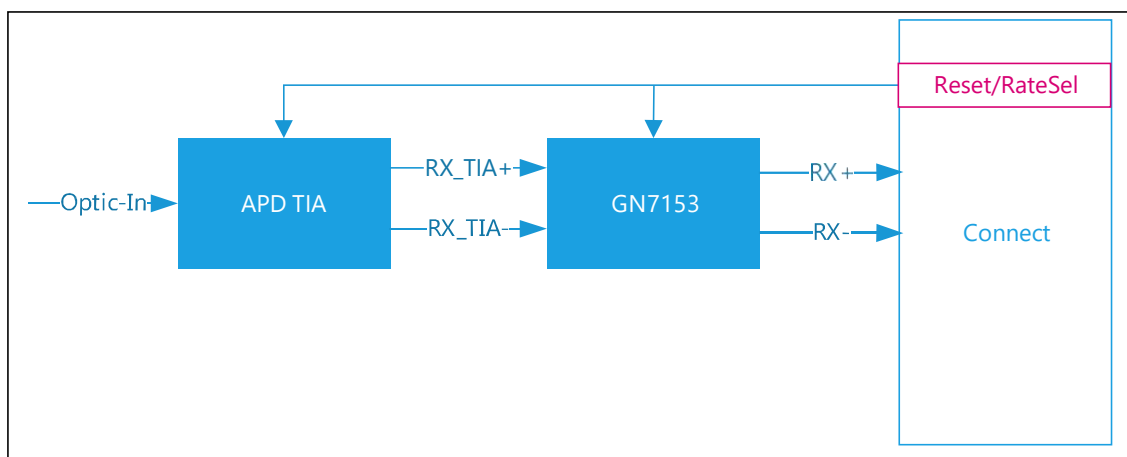


Figure 8 Connector connection diagram

PACKAGE OUTLINE

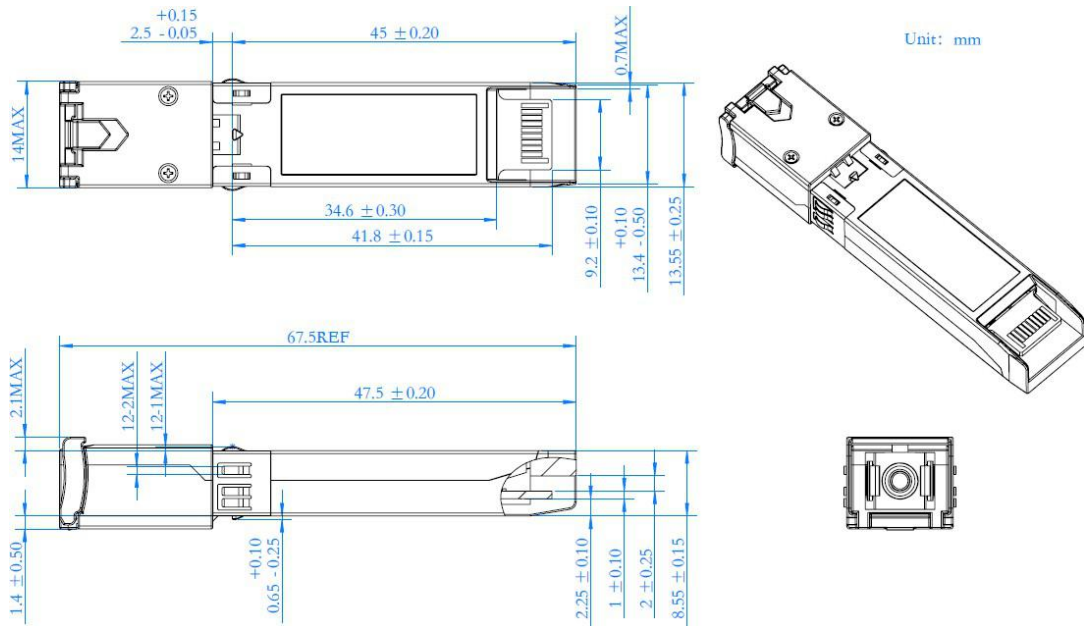


Figure 9 Package Outline

Note: The SFP+ 10G OLT package is preliminary version.

EEPROM INFORMATION

A0h(1010000X) and B0h(1011000X) are the Serial ID addresses for XGSPON/XGPON and GPON OLT, respectively.
A2h(1010001X) and B2h(1011001X) are the Digital Diagnostic addresses for XGSPON/XGPON and GPON OLT, respectively.

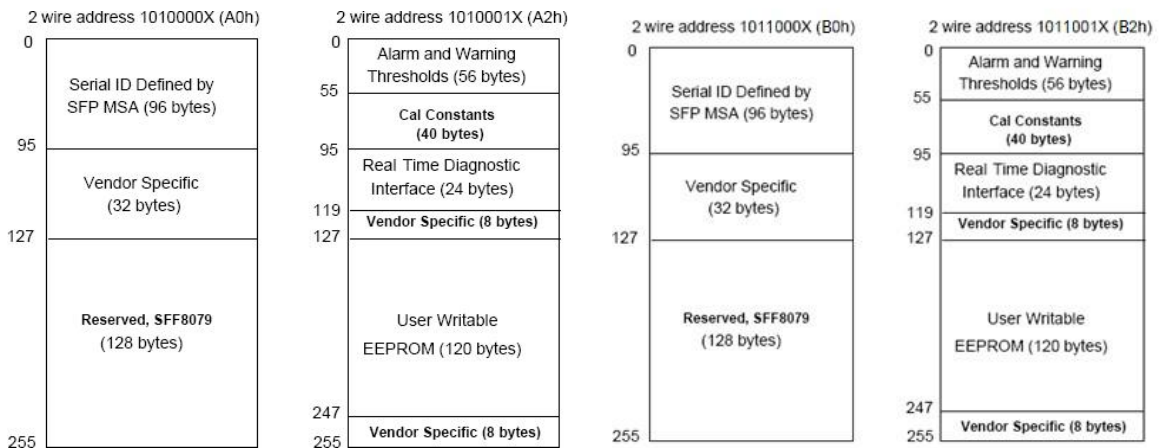


Figure 17 EEPROM Memory Map Specific Data Field Descriptions

XGS: DIGITAL DIAGNOSTIC MONITORING INTERFACE						
Parameter	Range	Accuracy	Calibration	Page	Address	NOTES
Temperature	0 to 70°C	±3°C	Internal	A2	Byte 96~97, Byte96 is MSB	LSB: 1/256C
Voltage	2.97 to 3.63V	±5%	Internal	A2	Byte 98~99, Byte98 is MSB	LSB: 0.1mV
Bias Current_XGS	0 to 262mA	±10%	Internal	A2	Byte 100~101, Byte100 is MSB	LSB: 4uA
TX Power_XGS	2 to 5dBm	±2dB	Internal	A2	Byte 102~103, Byte102 is MSB	LSB: 0.2uW
XGS-PON RX Power Monitor	-26 to -8dBm	±3dB	Internal	A2	Byte 104~105, Byte104 is MSB	LSB: 0.1uW

GPON: DIGITAL DIAGNOSTIC MONITORING INTERFACE						
Parameter	Range	Accuracy	Calibration	Page	Address	NOTES
Temperature	0 to 70°C	±3°C	Internal	B2	Byte 96~97, Byte96 is MSB	LSB: 1/256C
Voltage	2.97 to 3.63V	±5%	Internal	B2	Byte 98~99, Byte98 is MSB	LSB: 0.1mV
Bias Current_GPON	0 to 262mA	±10%	Internal	B2	Byte 100~101, Byte100 is MSB	LSB: 4uA
TX Power_GPON	1.5 to 5dBm	±2dB	Internal	B2	Byte 102~103, Byte102 is MSB	LSB: 0.2uW
GPON RX Power Monitor	-28 to -8dBm	±3dB	Internal	B2	Byte 104~105, Byte104 is MSB	LSB: 0.1uW